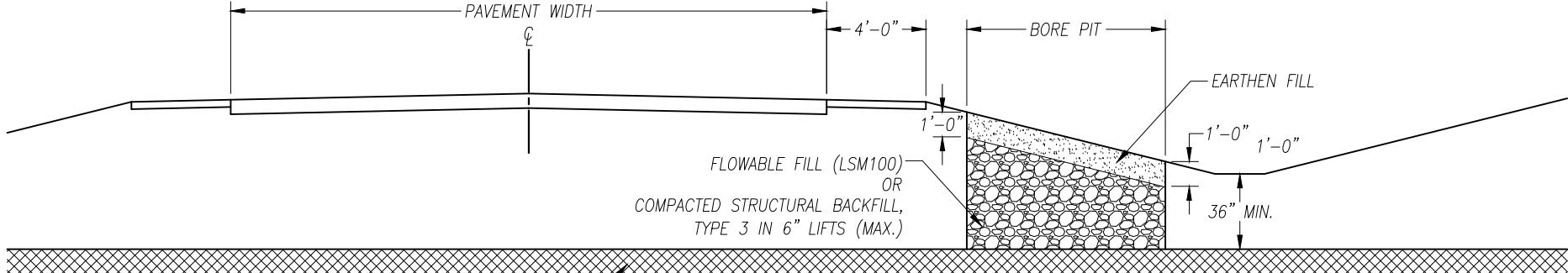
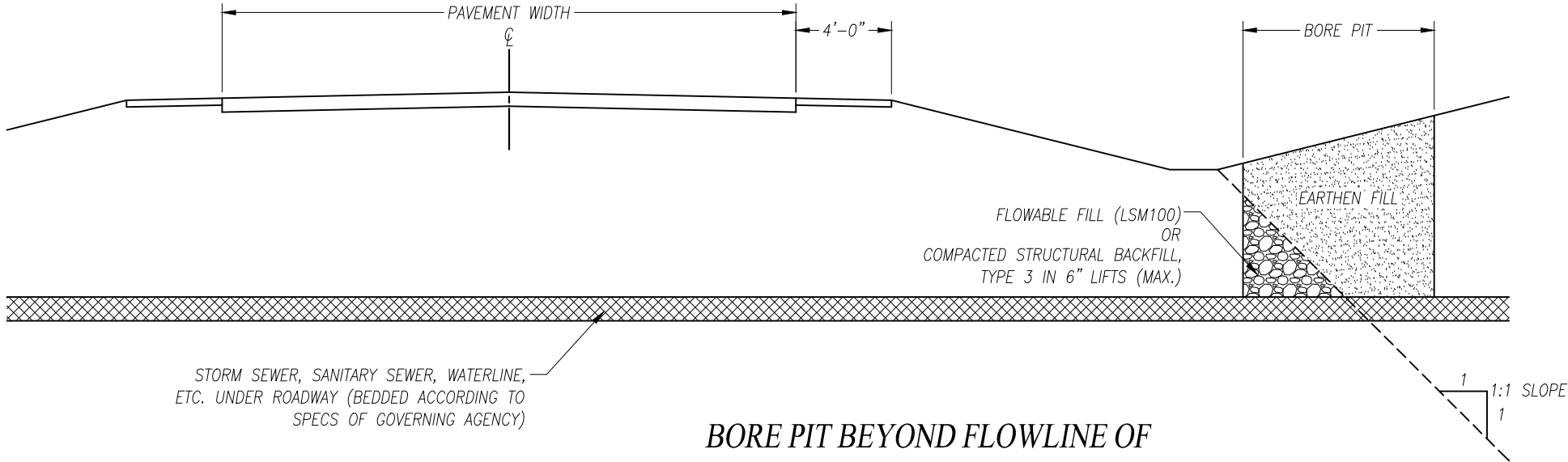


# BACKFILL OF BORE PITS



STORM SEWER, SANITARY SEWER, WATERLINE,  
ETC. UNDER ROADWAY (BEDDED ACCORDING TO  
SPECS OF GOVERNING AGENCY)

**BORE PIT BETWEEN 4'-0" FROM THE EDGE OF  
PAVEMENT AND ROADSIDE DITCH**



STORM SEWER, SANITARY SEWER, WATERLINE,  
ETC. UNDER ROADWAY (BEDDED ACCORDING TO  
SPECS OF GOVERNING AGENCY)

**BORE PIT BEYOND FLOWLINE OF  
ROADSIDE DITCH**

**NOTES:**

1. ANY UTILITY PLACED UNDER THE ROADWAY SHALL BE WITHIN A CASING APPROVED BY THE ALLEN COUNTY ENGINEER AND THE RESPECTIVE UTILITY.
2. ALL UTILITIES PLACED UNDER THE ROADWAY SHALL BE A MINIMUM OF 36" BELOW THE SURFACE OF THE GROUND AT THE DITCH FLOW LINE.
3. BORE PITS SHALL BE A MINIMUM OF 4'-0" FROM THE EDGE OF PAVEMENT.
4. ANY BORE PIT BETWEEN 4'-0" OF THE EDGE OF PAVEMENT AND THE BACK OF THE FLOWLINE OF THE ROADSIDE DITCH SHALL BE BACKFILLED TO WITHIN 1'-0" OF THE GROUND SURFACE WITH FLOWABLE FILL (LSM100) OR COMPACTED STRUCTURAL BACKFILL, TYPE 3 IN 6" LIFTS (MAX).
5. ANY BORE PIT BEYOND THE BACK OF THE FLOWLINE OF THE ROADSIDE DITCH SHALL BE BACKFILLED AT A 1:1 SLOPE WITH FLOWABLE FILL (LSM100) OR COMPACTED STRUCTURAL BACKFILL, TYPE 3 IN 6" LIFTS (MAX).
6. SEE ALLEN COUNTY STANDARD CONSTRUCTION DRAWING LUI-1 FOR ADDITIONAL DETAILS.

REVISIONS			ALLEN COUNTY, OHIO	
NO.	DATE	BY	COUNTY ENGINEER	
1	9-21-00	BER	<b>BACKFILL OF BORE PITS</b>	
2	10-5-06	RJM		
3	1-16-13	RJM		
4	5-19-16	ZJG		
			STANDARD CONSTRUCTION DRAWING BFB-1 DRAWN BY: Z.J.G. APPROVED BY: B. E. RHODES	