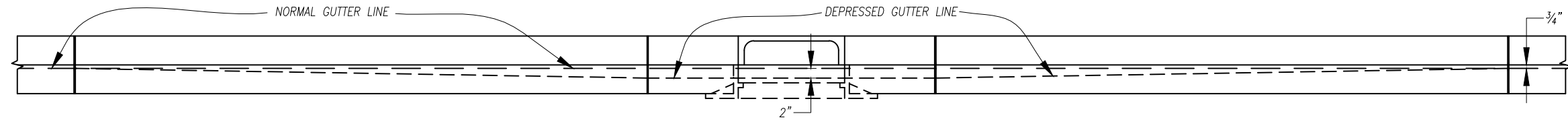
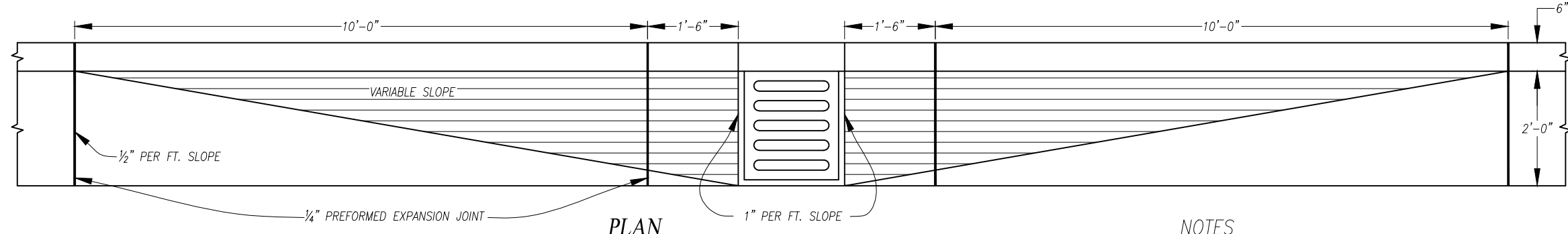


**ELEVATION**



**DEPRESSED GUTTER AT CATCH BASINS**



**PLAN**

**NOTES**

**GENERAL** - THE DESIGN SHOWN ON THIS DRAWING IS FOR SOLID CONCRETE BLOCK OR PRECAST CONCRETE. WALL THICKNESS FOR PRECAST CONCRETE SHALL BE 6" AND 8" FOR SOLID CONCRETE BLOCK.

**CASTINGS** - CASTINGS SHALL BE MADE IN ACCORDANCE WITH ASTM STANDARDS AND SHALL BE GIVEN ONE COAT OF ASPHALTUM PAINT. ALL CASTINGS ARE TO BE MANUFACTURED TRUE TO PATTERN AND WITH SATISFACTORY FIT OF COMPONENT PARTS. THE GRATE SHALL FIT IN ITS FRAME WITHOUT ROCKING. ALL GRATES SHALL HAVE A MINIMUM OPENING AREA OF 130 SQ. INCHES, NOT INCLUDING CURB OPENING.

**SETTING OF CASTING** - THE BASE OF THE FRAME SHALL BE SET IN A FULL BED OF PORTLAND CEMENT MORTAR AND SO ADJUSTED TO CONFORM TO THE FINISHED PAVEMENT OR DITCH GRADE.

**CONCRETE** - CONCRETE SHALL BE CLASS "C".

**TYPE OF CASTING** - SHALL BE ONE OF THE FOLLOWING:  
 REGULAR: NEENAH R-3010, R-3031B, R-3032B, R-3067, R-3274-B  
 EAST JORDAN 7010, 7045, 7056

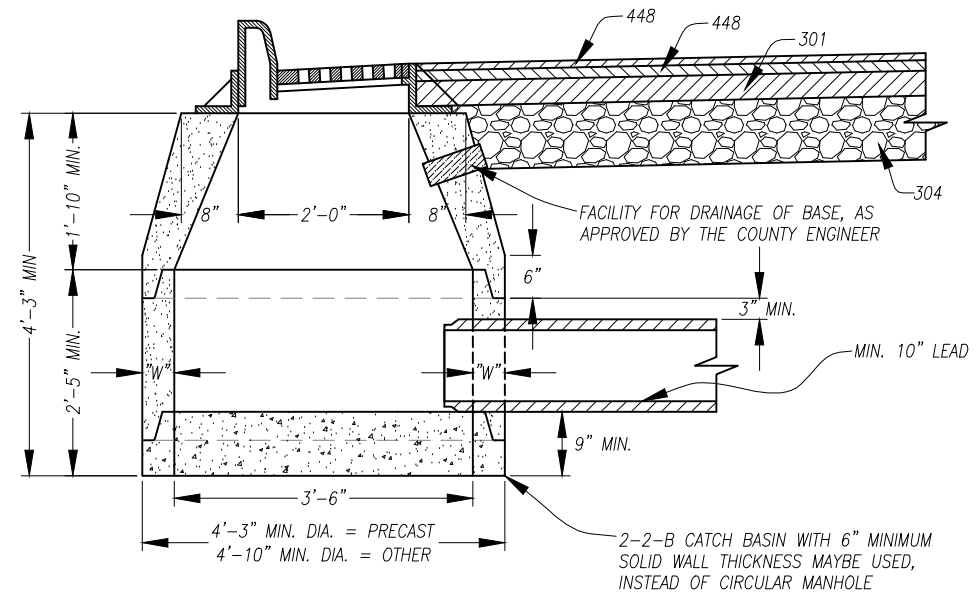
DRIVEWAYS: NEENAH R-3034B, R-3035A  
 EAST JORDAN 7065, 7066

**CATCH BASIN SPACING** - CATCH BASINS SPACING SHALL BE 500 FEET MAXIMUM OR AS REQUIRED TO MEET ANY DRAINAGE REQUIREMENTS OR OTHER REGULATORY REQUIREMENTS.

ALL CASTINGS SHALL HAVE ADJUSTABLE CURB BOX WITH ONLY ONE OPENING.

**CATCH BASIN DETAILS**

"W" = 8" FOR CONCRETE BLOCK MANHOLE  
 "W" = 6" FOR PRECAST MANHOLE



REVISIONS			ALLEN COUNTY, OHIO
NO.	DATE	BY	COUNTY ENGINEER
1	6-2-76	TJP	CATCH BASIN DETAILS
2	6-5-79	TJP	
3	10-5-06	RJM	
4	1-16-13	RJM	
5	5-12-16	ZJG	
			STANDARD CONSTRUCTION DRAWING CB-1
			DRAWN BY: Z.J.G. APPROVED BY: B. E. RHODES