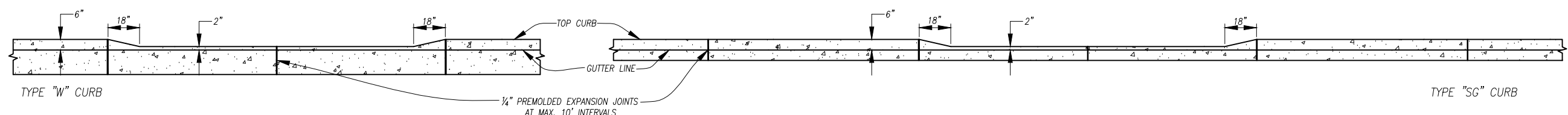
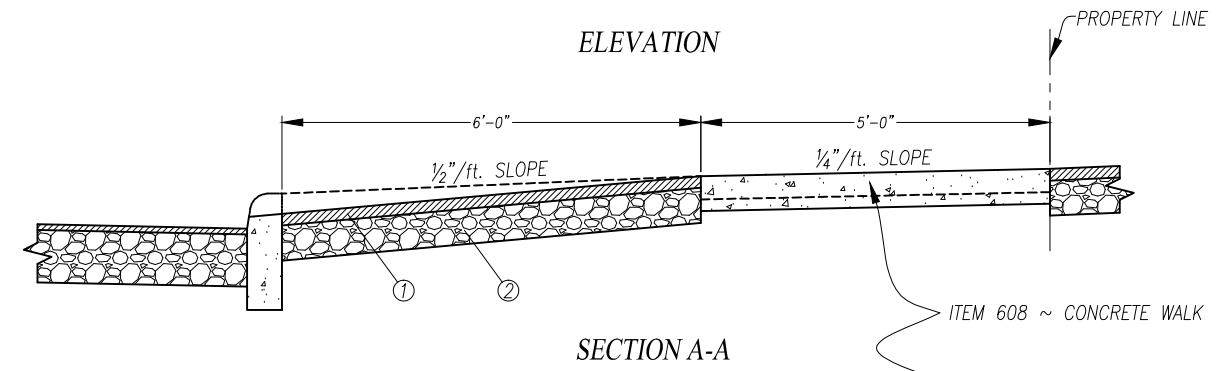


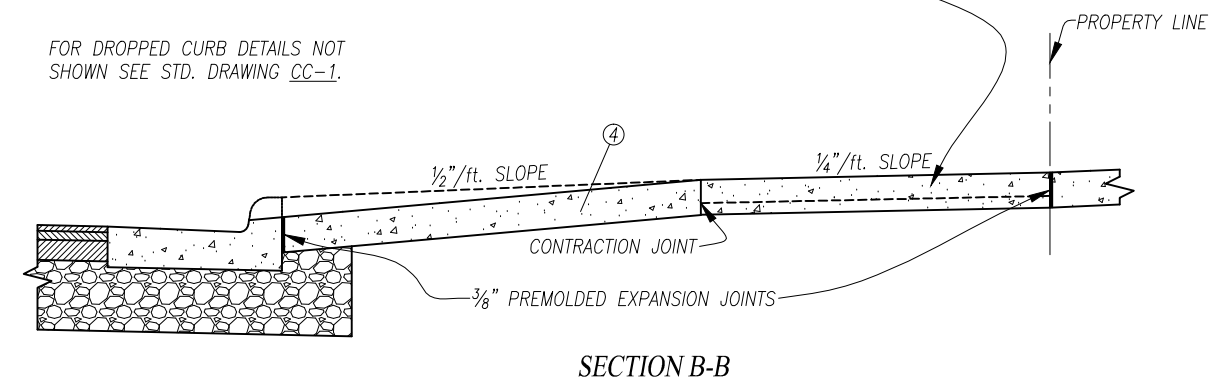
RESIDENTIAL DRIVE DETAILS



ELEVATION



SECTION A-A



SECTION B-B

FOR DROPPED CURB DETAILS NOT SHOWN SEE STD. DRAWING CC-1.

NOTES

RESIDENTIAL DRIVEWAYS – SHALL CONSIST OF THE FOLLOWING MATERIALS:  
 ① 2" ITEM 448 ASPHALT CONCRETE SURFACE COURSE, TYPE 1, PG64-22  
 ② 6" ITEM 304 COMPACTED STONE BASE  
 OR  
 ④ 6" ITEM 452 (7" FOR COMMERCIAL DRIVES WITH TRUCK TRAFFIC)  
 SEE PF-1 AND PR-1 FOR MATERIAL DESCRIPTION.

CURB RAMPS – SHALL BE INSTALLED WHERE REQUIRED BY FEDERAL, STATE OR LOCAL REGULATIONS OR AS DIRECTED BY THE ALLEN COUNTY ENGINEER AND SHALL BE CONSTRUCTED ACCORDING TO THE LATEST ODOT STANDARDS.

REVISIONS			ALLEN COUNTY, OHIO	
NO.	DATE	BY	COUNTY ENGINEER	
1	6-3-76	TJP	<b>RESIDENTIAL &amp; COMMERCIAL            DRIVEWAY DETAILS &amp; SIDEWALK            DETAILS</b> STANDARD CONSTRUCTION DRAWING DW-1 DRAWN BY: Z.J.G.   APPROVED BY: B. E. RHODES	
2	11-14-89	TJP		
3	10-5-06	RJM		
4	1-16-13	RJM		
5	5-16-16	ZJG		