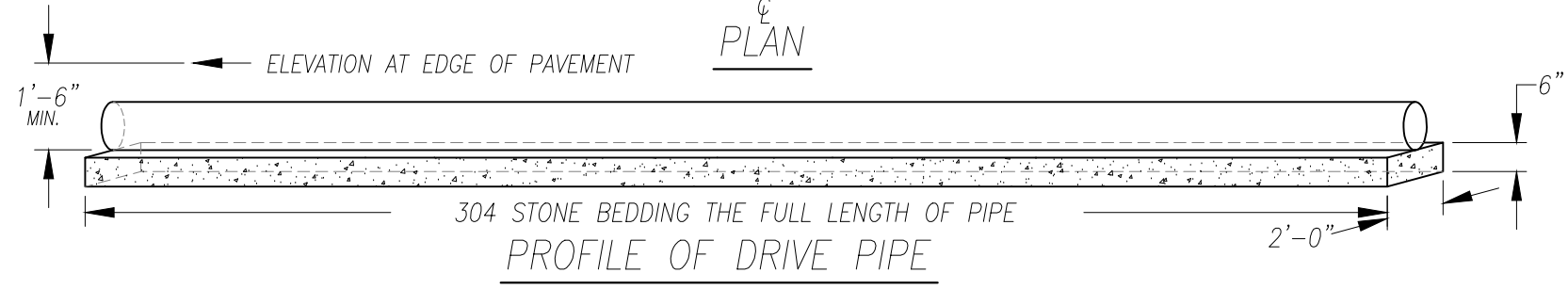


NOTES: ROADSIDE DITCH SHALL NOT BE FILLED IN. SURFACE OF DRIVEWAY MUST FOLLOW EXISTING GROUND CONTOUR AND MAINTAIN EXISTING GROUND ELEVATION WITHIN ROAD RIGHT-OF-WAY.

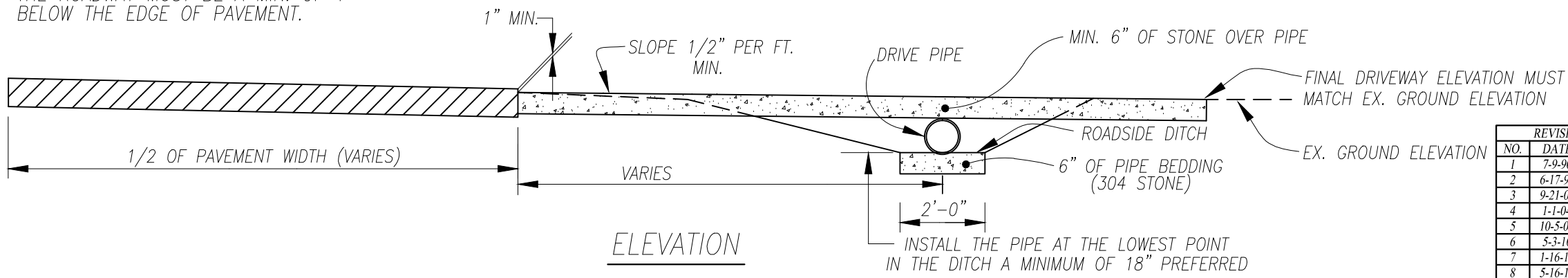
SURFACE OF DRIVEWAY APRON ABUTTING THE ROADWAY MUST BE A MIN. OF 1" BELOW THE EDGE OF PAVEMENT.



NOTES: ONLY ONE DRIVEWAY IS PERMITTED PER PARCEL. ADDITIONAL DRIVES MAY BE ALLOWED PURSUANT TO THE ALLEN COUNTY ACCESS MANAGEMENT REGULATIONS.

FOR CONCRETE DRIVEWAYS SEE STANDARD DRAWING DW-1 FOR THICKNESS OF CONCRETE.

DRIVE PIPE MUST BE 4 FT. PAST EACH SIDE OF DRIVEWAY REGARDLESS OF PIPE PLACEMENT IN THE ROADSIDE DITCH.



REVISIONS			ALLEN COUNTY, OHIO	
NO.	DATE	BY	COUNTY ENGINEER	
1	7-9-90	TJP	MINIMUM DRAINAGE & DRIVEWAY STANDARDS RESIDENTIAL DRIVES STANDARD CONSTRUCTION DRAWING DW-2 DRAWN BY: Z.J.G. APPROVED BY: B. E. RHODES	
2	6-17-97	BJT		
3	9-21-00	BJT		
4	1-1-04	DRL		
5	10-5-06	ZJG		
6	5-3-10	DRL		
7	1-16-13	RJM		
8	5-16-16	RJM		