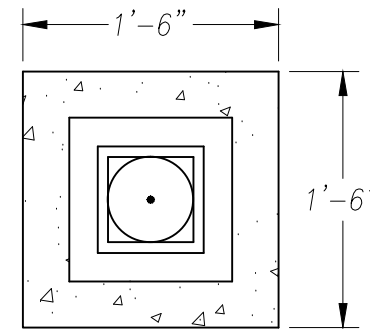


NOTE:

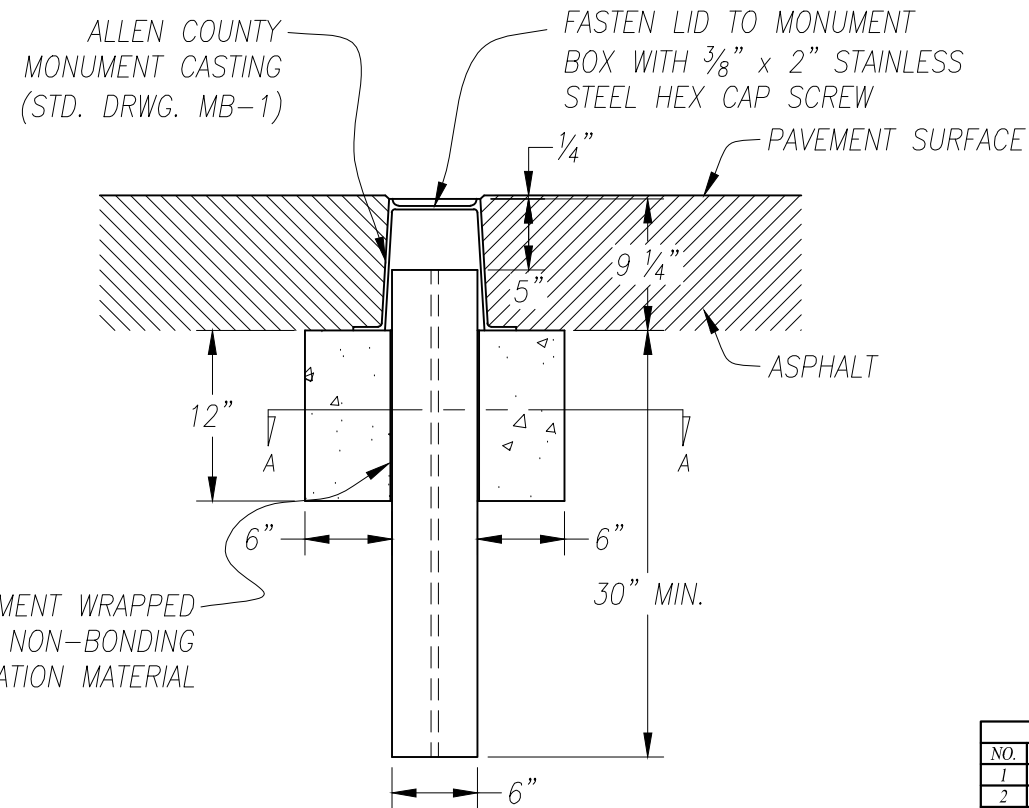
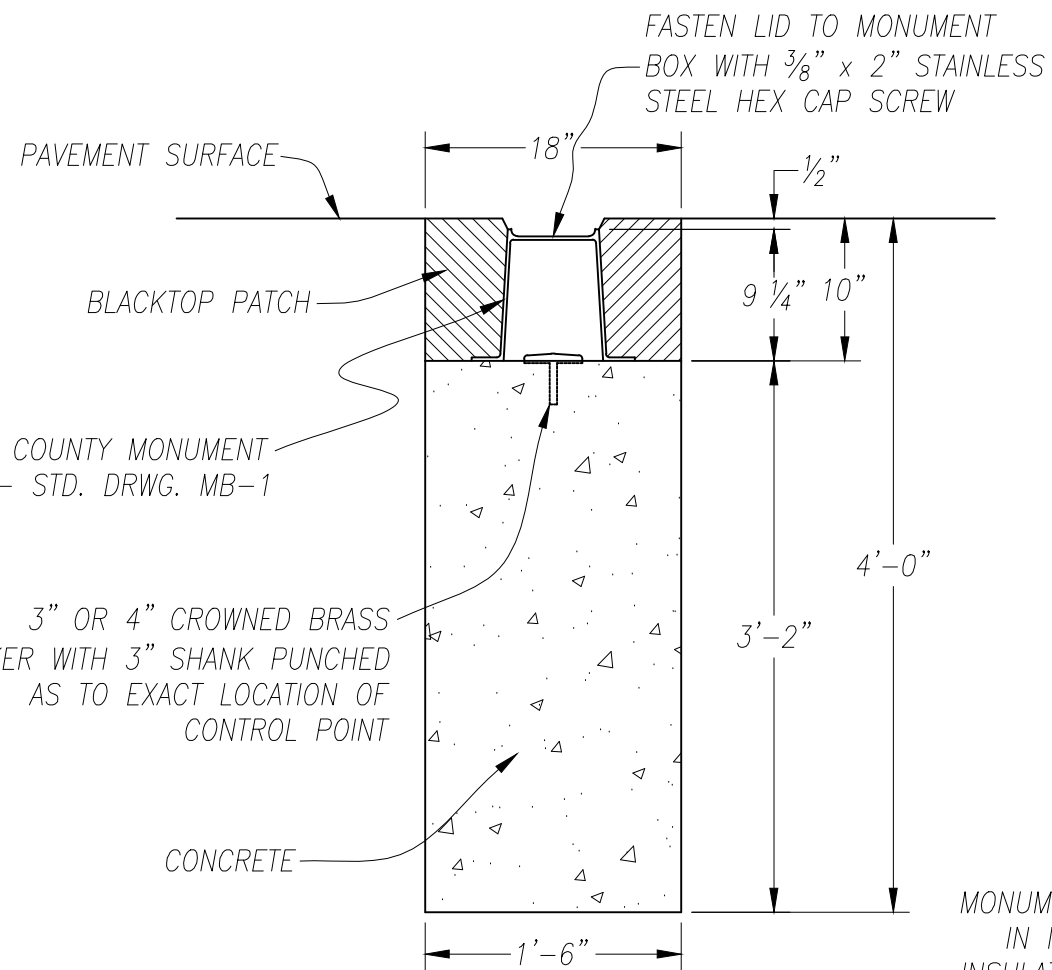
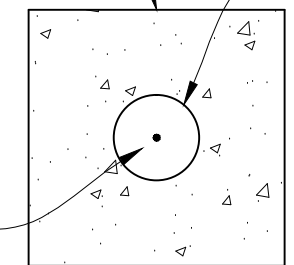
MONUMENT BOXES PLACED AT LOCATIONS NEEDED TO RE-ESTABLISH ALL STREETS AND WITHIN CLEAR SIGHT OF PREVIOUS BOX SET.



6" DIA. PRECAST CONCRETE MONUMENT OR 6" PIPE (706.07 OR 706.09) FILLED WITH CONCRETE SAND COMPACTED BY FLOODING. BOTH WRAPPED IN NON-BONDING INSULATION MATERIAL.

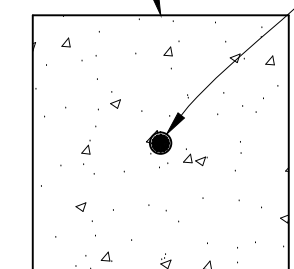
CLASS "C" CONCRETE

CLASS "C" CONCRETE



1 1/4" x 48" STEEL ROD WRAPPED IN 1/8" NON-BONDING INSULATION MATERIAL AND EXTENDING 4 1/4" INTO MONUMENT BOX

CLASS "C" CONCRETE



REVISIONS			ALLEN COUNTY, OHIO	
NO.	DATE	BY	COUNTY ENGINEER	
1	2-22-00	BJT	MONUMENT BOX BEDDING DETAIL FOR SUBDIVISION MONUMENTATION	
2	10-5-06	RJM		
3	5-12-16	ZJG		
			STANDARD CONSTRUCTION DRAWING MB-1-B	
			DRAWN BY: Z.J.G. APPROVED BY: B. E. RHODES	