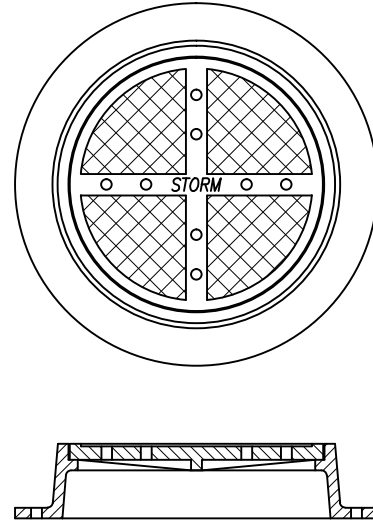


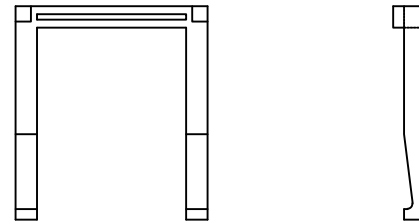
**MANHOLE FRAME
& LID CASTING**

ALL DIMENSIONS AS SPECIFIED FOR NEENAH R-1668 OR EAST JORDAN 1045 FRAME & LID, OR ALLEN COUNTY ENGINEER APPROVED EQUAL, WITH THE WORD "STORM" ON THE LID.



MANHOLE STEP

ALL DIMENSIONS AS SPECIFIED FOR NEENAH R-1980-C OR ALLEN COUNTY ENGINEER APPROVED EQUAL.

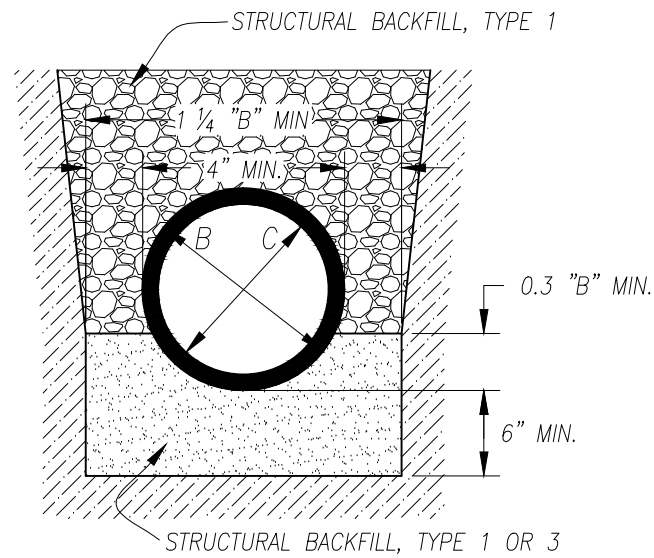


PIPE BEDDING: PIPE BEDDING SHALL CONFORM WITH THE CLASSIFICATION AS SHOWN HEREON OR AS DIRECTED BY THE ALLEN COUNTY ENGINEER.

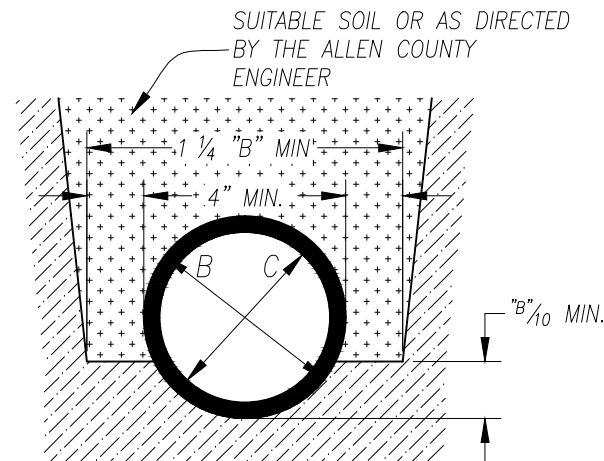
PIPE BACKFILL UNDER ROADWAY: PIPE BACKFILL UNDER THE ROADWAY SHALL BE FULL DEPTH GRANULAR MATERIAL (ODOT SPEC. No. 703.11A, STRUCTURAL BACKFILL TYPE 1, WET FROM QUARRY) COMPACTED AS DIRECTED BY THE ALLEN COUNTY ENGINEER TO A MINIMUM HORIZONTAL DISTANCE OF 4 FEET BACK OF CURB OR 6 FEET BACK OF THE EDGE OF PAVEMENT. SEE ALLEN CO. STD. DRWG. RC-1.

PIPE BACKFILL IN OTHER AREAS: BACKFILL ACCORDING TO ODOT SPEC. 603.10 AND ALLEN CO. STD DRWG. BFT-2.

PIPE DELIVERED TO SITE SHALL BE MARKED ACCORDING TO ODOT SPECIFICATIONS.

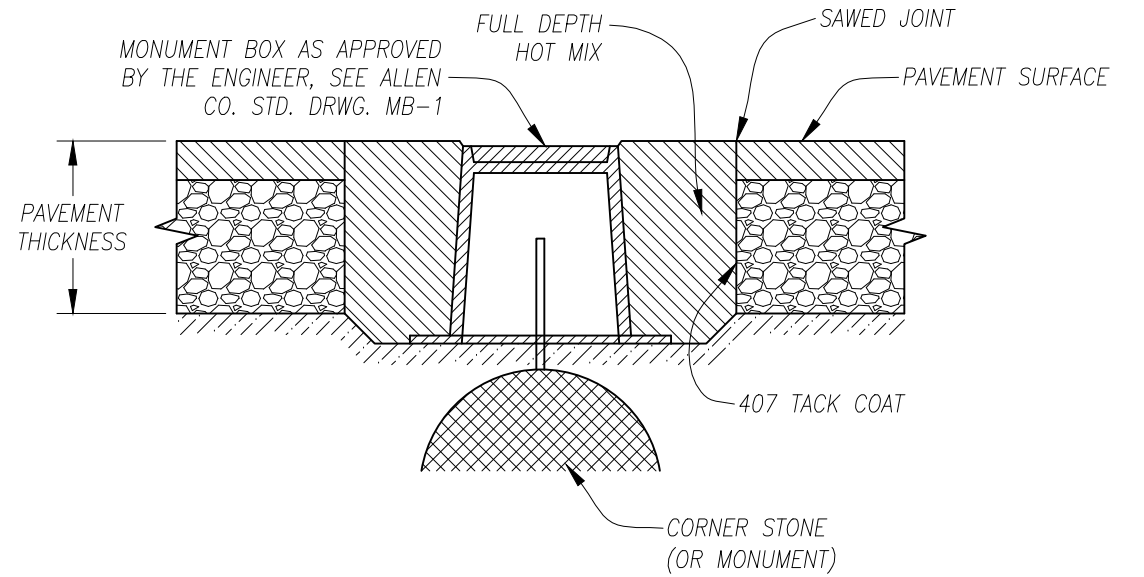


TYPE 2
(TYPE A, B & C CONDUITS)

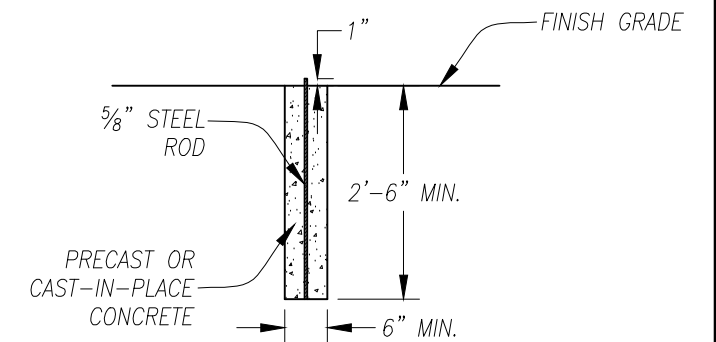


TYPE 4
(TYPE D, E & F CONDUITS)

BEDDING DETAILS



**MONUMENT ASSEMBLY IN
PAVEMENT, MA-2**
(FOR CORNER STONES ONLY; SEE ALLEN CO. STD.DRWG.
MB-1-B FOR SUBDIVISION MONUMENTATION)



**MONUMENT ASSEMBLY IN
GROUND, MA-1**

REVISIONS			ALLEN COUNTY, OHIO	
NO.	DATE	BY	COUNTY ENGINEER	
1	6-3-76	TJP	MISCELLANEOUS DETAILS - MONUMENT ASSEMBLY, CASTING DETAILS, BEDDING DETAILS STANDARD CONSTRUCTION DRAWING MD-1 DRAWN BY: Z.J.G. APPROVED BY: B. E. RHODES	
2	5-30-79	TJP		
3	10-5-06	RJM		
4	1-16-13	RJM		
5	5-12-16	ZJG		