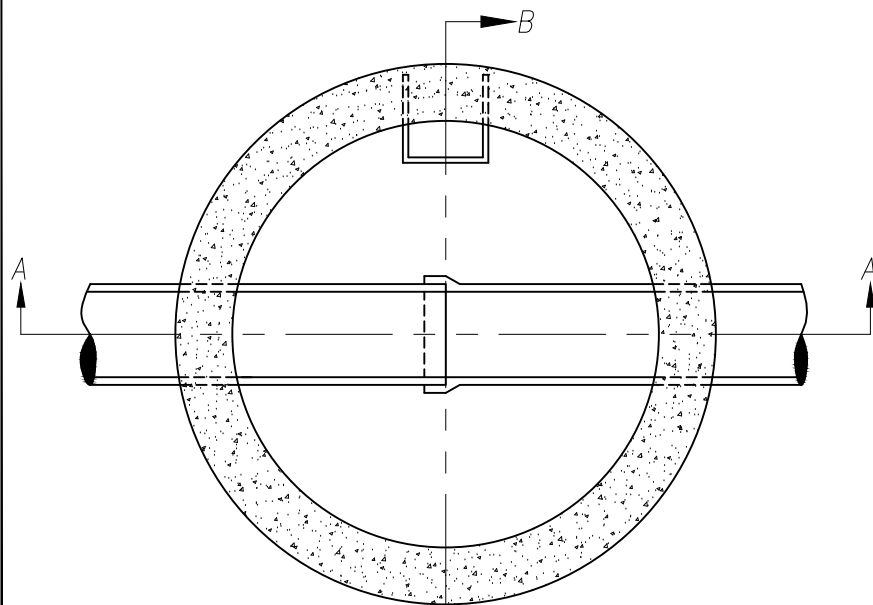
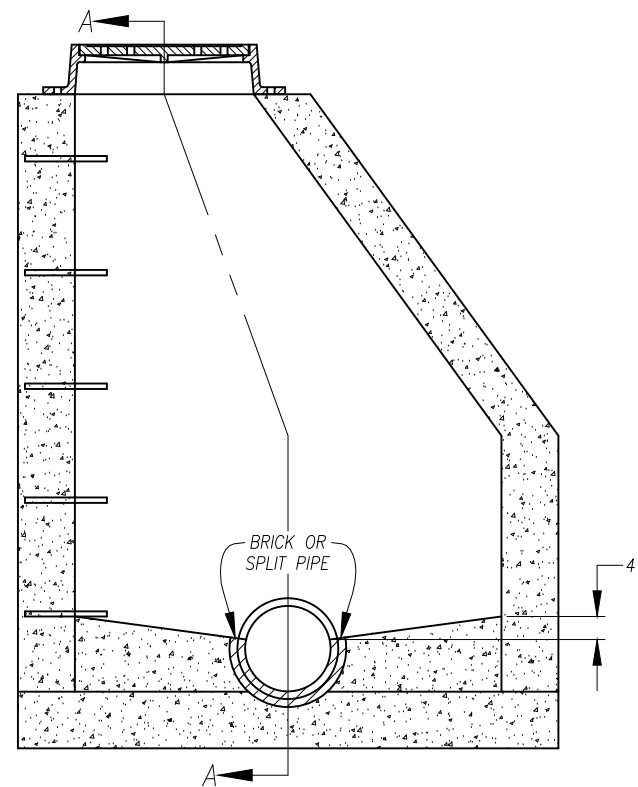


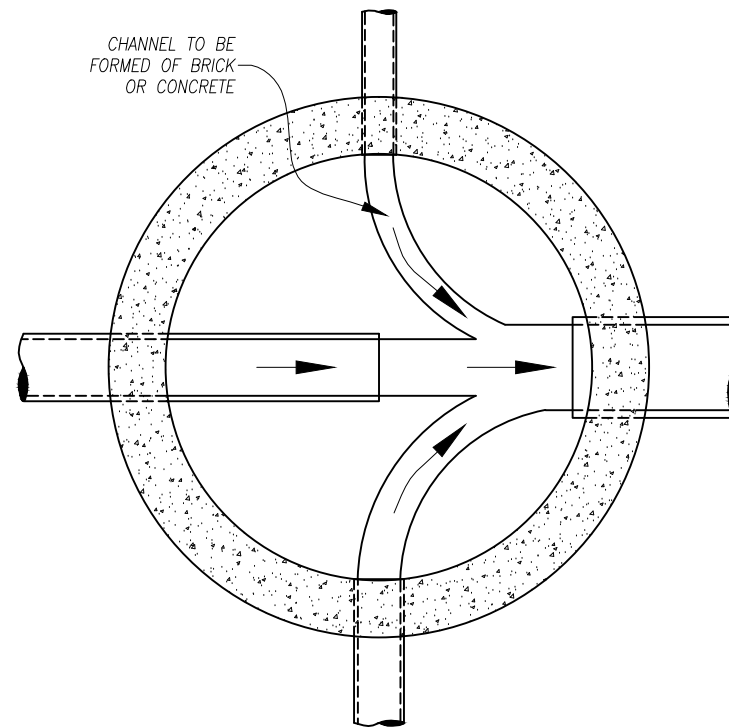
SECTION A-A



SECTION C-C



SECTION B-B



SECTION BELOW SPRING LINE SHOWING METHOD OF TURNING SIDE DRAINS

4'-0" FOR SEWERS 24" AND UNDER, STD. MANHOLE No. 1
 5'-0" FOR SEWERS 27" TO 42", STD. MANHOLE No. 2

NOTES

GENERAL: THE DESIGN SHOWN ON THIS DRAWING IS FOR PRECAST SOLID CONCRETE BLOCK, BRICK, OR CAST-IN-PLACE CONCRETE. IF CAST-IN-PLACE CONCRETE OR BRICK IS USED THE DESIGN SHALL BE MODIFIED TO FIT THE DIMENSIONS OF THE MATERIAL USED, EXCEPT THAT THE THICKNESS OF THE WALLS SHALL NOT BE LESS THAN 8". IN DEPTHS OVER 15' THE WALL THICKNESS SHALL BE INCREASED TO 12".

CONSTRUCTION: MANHOLES SHALL BE BUILT OF PRECAST SOLID CONCRETE BLOCK, BRICK, OR CAST-IN-PLACE CONCRETE. WHEN MANHOLES ARE CONSTRUCTED OF BRICK, EVERY SIXTH COURSE SHALL BE A STRETCHER COURSE. BOTTOM OF MANHOLES SHALL MEET THE REQUIREMENTS OF SECTION 499, CLASS "C" CONCRETE.

SETTING OF CASTING: THE BASE OF THE FRAME SHALL BE SET IN A FULL BED OF PORTLAND CEMENT MORTAR AND SO ADJUSTED TO CONFORM TO THE FINISHED GROUND OR PAVEMENT GRADE.

CASTINGS AND STEPS: MANHOLE CASTINGS SHALL BE NEENAH R-1668 FRAME & LID, EAST JORDAN 1045 OR ALLEN COUNTY ENGINEER APPROVED EQUAL. STEPS SHALL BE NEENAH R-1980-C OR ALLEN COUNTY ENGINEER APPROVED EQUAL. CASTINGS AND STEPS SHALL HAVE ONE COAT OF ASPHALT PAINT.

MANHOLES USED AS CATCH BASINS: SEE CASTINGS SPECIFIED ON STD. DRWG. CB-1.

NOTE: MANHOLE DETAILS FOR SEWERS OVER 42" WILL BE SHOWN ON THE CONSTRUCTION PLANS.

| REVISIONS | | | ALLEN COUNTY, OHIO |
|-----------|----------|-----|--|
| NO. | DATE | BY | COUNTY ENGINEER |
| 1 | 6-3-76 | TJP | MANHOLE DETAILS - BRICK, CONCRETE BLOCK |
| 2 | 11-14-89 | TJP | |
| 3 | 10-5-06 | RJM | |
| 4 | 1-16-13 | RJM | |
| 5 | 5-16-16 | ZJG | |
| | | | STANDARD CONSTRUCTION DRAWING MH-1 & 2 |
| | | | DRAWN BY: Z.J.G. APPROVED BY: B. E. RHODES |