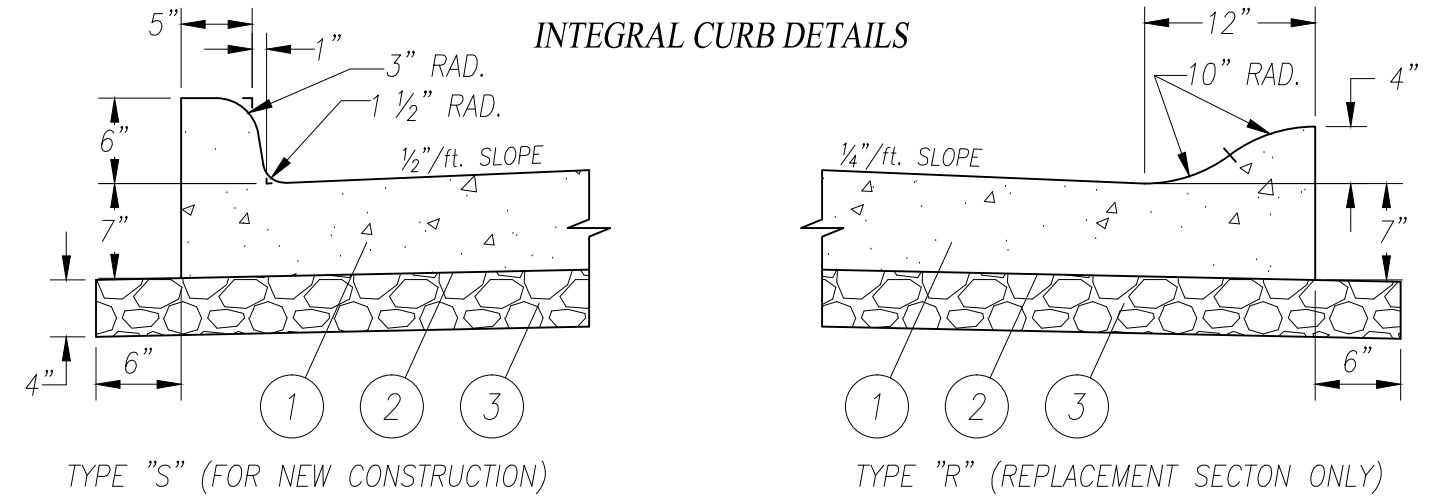


- ① ITEM 452 ~ 7" PLAIN PORTLAND CEMENT CONCRETE PAVEMENT WITH INTEGRAL CURB, TYPE "S" OR "R" (SEE DETAILS BELOW). TYPE "R" MAY ONLY BE USED FOR REPLACEMENT SECTIONS ONLY.
- ② ITEM 204 ~ SUBGRADE COMPACTION, ODOT ITEM 204 SPECS.
- ③ ITEM 304 ~ 4" AGGREGATE BASE
- ④ ITEM 611 ~ 6" PERIMETER PIPE UNDERDRAIN (BOTH SIDES OF STREET) (706.06, 706.07, 706.08, 706.09, 707.33 (PERFORATED), 707.41 (PERFORATED)). BED ACCORDING TO ODOT SPECIFICATION No. 603.06, TYPE 2. BACKFILL ACCORDING TO ODOT SPECIFICATION No. 603.10, C. PIPES TO DRAIN TO NEAREST CATCH BASINS AND TO BE PLACED BEFORE CONSTRUCTION OF CURB AND GUTTERS. LOT DRAINS SHALL NOT BE CONNECTED TO PERIMETER PIPE UNDERDRAINS.
- ⑤ ITEM 659 ~ SEEDING AND MULCHING, USE SEEDING MIXTURE APPROVED BY THE ALLEN COUNTY ENGINEER.
- ⑥ ITEM 608 ~ CONCRETE WALK, SEE STANDARD DRAWING DW-1



- NOTE: 1. FOR SEPARATE POURED CURB SEE ALLEN CO. STD. DRWG. CC-1.  
 2. FOR JOINT AND INTERSECTION DETAILS SEE ALLEN CO. STD. DRWG. PR-2.  
 3. FOR CURB REPLACEMENT FOR DRIVEWAY CONSTRUCTION SEE ALLEN COUNTY STD. DRWG. DW-1.  
 4. STORM SEWERS SHALL BE LOCATED WITHIN THE ROAD RIGHT-OF-WAY AND WITHIN SIX (6) FEET OF THE BACK OF CURB.

REVISIONS			ALLEN COUNTY, OHIO	
NO.	DATE	BY	COUNTY ENGINEER	
1	6-4-76	TJP	<b>PAVEMENT - RIGID TYPE</b> <b>LOCAL, COLLECTOR AND ARTERIAL</b> <b>STREETS</b> STANDARD CONSTRUCTION DRAWING PR-1 DRAWN BY: Z.J.G. APPROVED BY: B. E. RHODES	
2	5-30-79	TJP		
3	10-5-06	RJM		
4	1-16-13	RJM		
5	5-16-16	RJM		