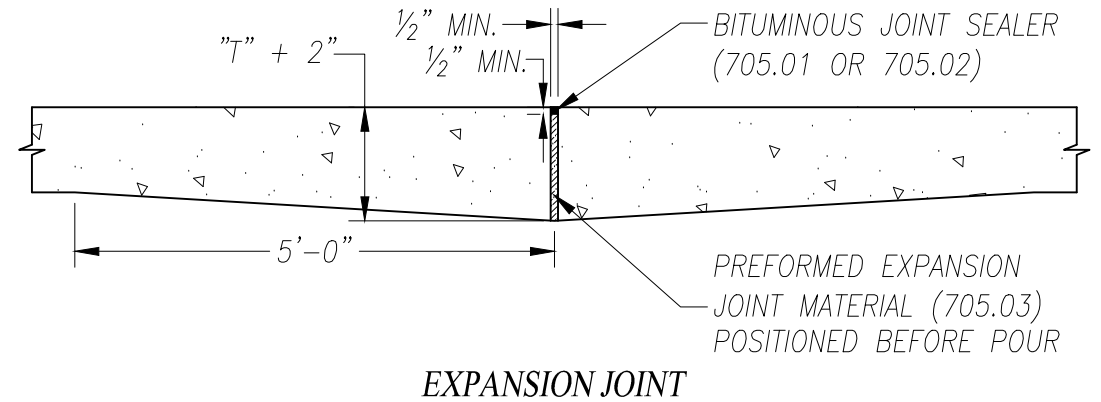
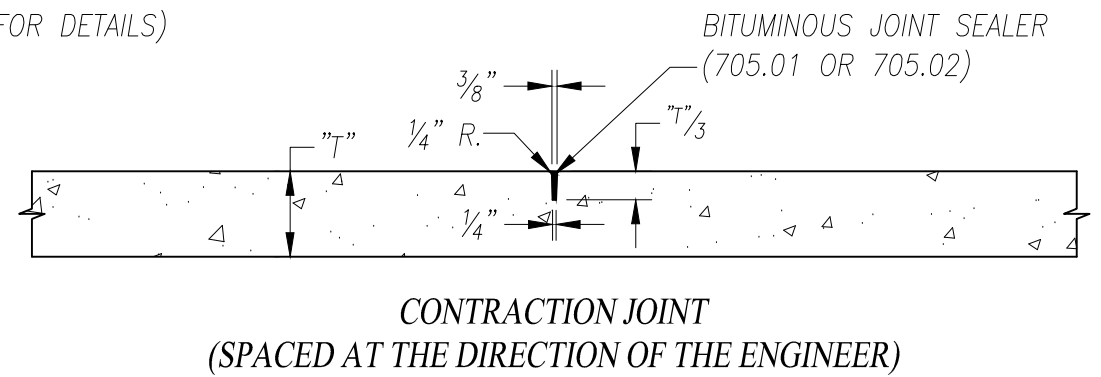


JOINTS AT STREET INTERSECTION



EXPANSION JOINT



CONTRACTION JOINT
(SPACED AT THE DIRECTION OF THE ENGINEER)

1/2" EXPANSION JOINT BETWEEN POURS

NOTE:

EXPANSION JOINTS SHALL BE A MINIMUM OF 12" FROM OUTERMOST LIP OF MANHOLE OR MONUMENT BOX CASTINGS.

REVISIONS			ALLEN COUNTY, OHIO
NO.	DATE	BY	COUNTY ENGINEER
1	6-3-76	TJP	JOINT DETAILS-RIGID TYPE PAVEMENT
2	5-31-79	TJP	
3	12-1-80	TJP	
4	10-5-06	RJM	
5	5-16-16	ZJG	
			STANDARD CONSTRUCTION DRAWING PR-2
			DRAWN BY: Z.J.G. APPROVED BY: B. E. RHODES