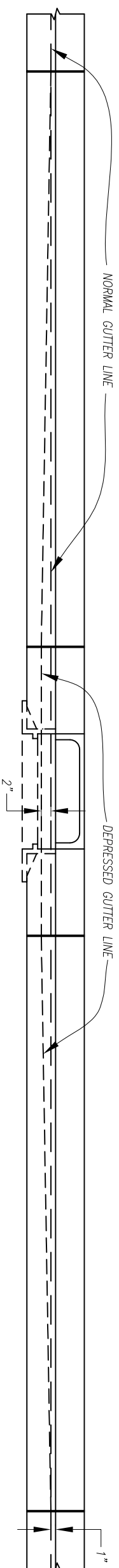
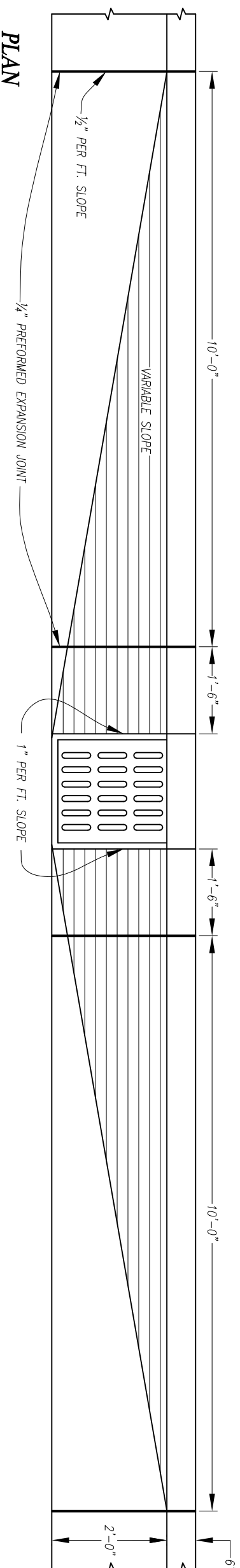


DEPRESSED GUTTER AT CATCH BASINS



ELEVATION



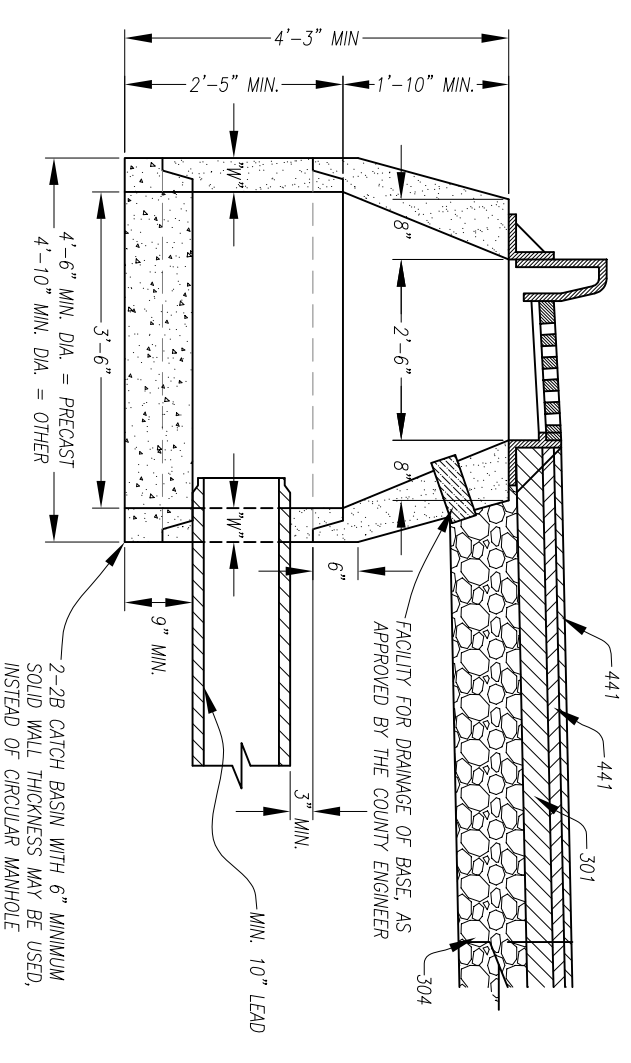
PLAN

NOTES

- GENERAL – THE DESIGN SHOWN ON THIS DRAWING IS FOR PRECAST CONCRETE OR SOLID CONCRETE BLOCK. WALL THICKNESS FOR PRECAST CONCRETE SHALL BE 6" AND WALL THICKNESS FOR SOLID CONCRETE BLOCK SHALL BE 8".
- CASTINGS – CASTINGS SHALL BE MADE IN ACCORDANCE WITH ASTM STANDARDS AND SHALL BE GIVEN ONE COAT OF ASPHALTIC PAINT. ALL CASTINGS ARE TO BE MANUFACTURED TRUE TO PATTERN AND WITH SATISFACTORY FIT OF COMPONENT PARTS. THE GRATE SHALL FIT IN ITS FRAME WITHOUT ROCKING. ALL GRATES SHALL HAVE A MINIMUM OPENING AREA OF 130 SQ. INCHES, NOT INCLUDING CURB OPENING.
- TYPE OF CASTING – CASTINGS SHALL BE A NEENAH OR EAST JORDAN THAT IS APPROVED BY THE ALLEN COUNTY ENGINEER'S OFFICE WITH A BICYCLE SAFE GRATE.
- SETTING OF CASTING – THE BASE OF THE FRAME SHALL BE SET IN A FULL BED OF PORTLAND CEMENT MORTAR AND SO ADJUSTED TO CONFORM TO THE FINISHED PAVEMENT OR DITCH GRADE.
- CONCRETE – CONCRETE SHALL BE CLASS "QC1".
- CATCH BASIN SPACING – CATCH BASIN SPACING SHALL BE 500 FEET MAXIMUM OR AS REQUIRED TO MEET ANY DRAINAGE REQUIREMENTS OR OTHER REGULATORY REQUIREMENTS.
- ALL CASTINGS SHALL HAVE ADJUSTABLE CURB BOX WITH ONLY ONE OPENING.

CATCH BASIN DETAILS

"W" = 6" FOR PRECAST CONCRETE MANHOLE
 "W" = 8" FOR SOLID CONCRETE BLOCK MANHOLE



2-2B CATCH BASIN WITH 6" MINIMUM SOLID WALL THICKNESS MAY BE USED, INSTEAD OF CIRCULAR MANHOLE

REVISIONS		ALLEN COUNTY, OHIO COUNTY ENGINEER	
NO.	DATE	BY	CATCH BASIN DETAILS
1	6-2-76	TJP	
2	6-5-79	TJP	
3	10-5-06	RJM	
4	1-6-13	RJM	
5	5-12-16	ZJG	
6	01-01-23	ZJG	

STANDARD CONSTRUCTION DRAWING CB-1
 DRAWN BY: ZJG APPROVED BY: B. E. RHODES