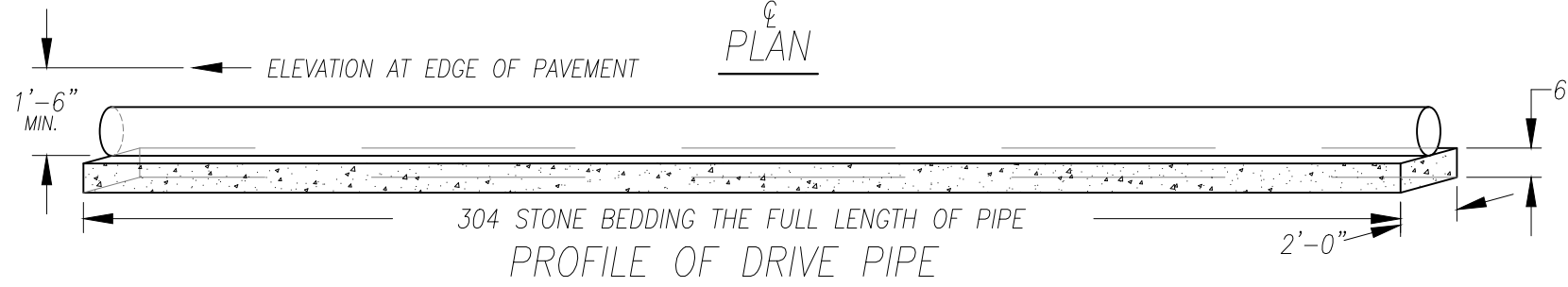


NOTES:

ROADSIDE DITCH SHALL NOT BE FILLED IN. SURFACE OF DRIVEWAY MUST FOLLOW EXISTING GROUND CONTOUR AND MAINTAIN EXISTING GROUND ELEVATION WITHIN ROAD RIGHT-OF-WAY.

SURFACE OF DRIVEWAY APRON ABUTTING THE ROADWAY MUST BE A MIN. OF 1" BELOW THE EDGE OF PAVEMENT.

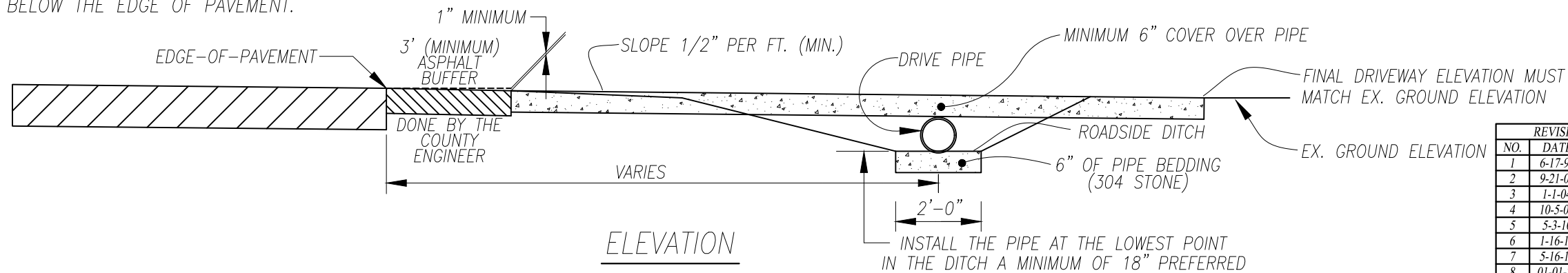


NOTES:

ONLY ONE DRIVEWAY IS PERMITTED PER PARCEL. ADDITIONAL DRIVES MAY BE ALLOWED PURSUANT TO THE ALLEN COUNTY ACCESS MANAGEMENT REGULATIONS.

FOR CONCRETE DRIVEWAYS SEE STANDARD DRAWING DW-1 FOR THICKNESS OF CONCRETE.

DRIVE PIPE MUST BE 4 FT. PAST EACH SIDE OF DRIVEWAY REGARDLESS OF PIPE PLACEMENT IN THE DRIVEWAY.



REVISIONS		
NO.	DATE	BY
1	6-17-97	BJT
2	9-21-00	BJT
3	1-1-04	DRL
4	10-5-06	ZJG
5	5-3-10	DRL
6	1-16-13	RJM
7	5-16-16	ZJG
8	01-01-23	ZJG

ALLEN COUNTY, OHIO	
COUNTY ENGINEER	
MINIMUM DRAINAGE & DRIVEWAY STANDARDS	
RESIDENTIAL DRIVES	
STANDARD CONSTRUCTION DRAWING DW-2	
DRAWN BY: Z.J.G.	APPROVED BY: B. E. RHODES