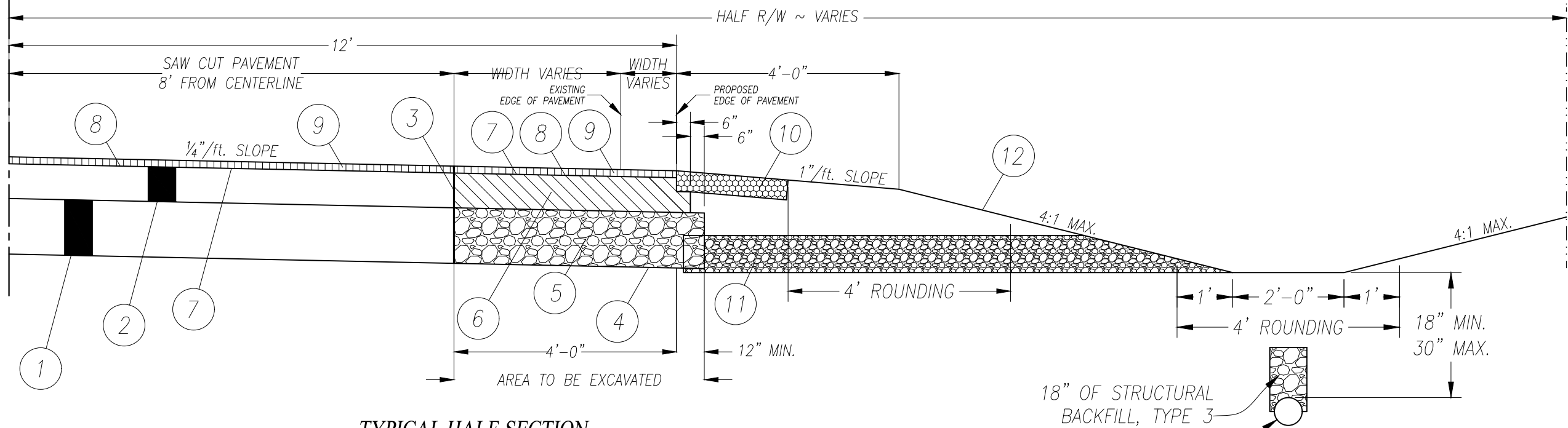


SYMMETRICAL ABOUT
CENTERLINE OF
RIGHT-OF-WAY

PROPERTY LINE OR
RIGHT-OF-WAY LINE



**TYPICAL HALF-SECTION
MINIMUM PAVEMENT COMPOSITION FOR FLEXIBLE PAVEMENT**

18" OF STRUCTURAL
BACKFILL, TYPE 3

6" MIN. DIA. DRAIN TILE (BOTH SIDES
OF STREET) (706.06, 706.07, 706.08,
706.09, 707.33 (PERFORATED), 707.41
(PERFORATED)) OR AS SPECIFIED BY
THE ALLEN COUNTY ENGINEER. ODOT
TYPE 4 BEDDING. LOT DRAINS MAY BE
CONNECTED TO DRAIN TILE, ONLY IF TILE
HAS BEEN SIZED BY A PROFESSIONAL
ENGINEER TO HANDLE ADDITIONAL FLOW.

- 1 EXISTING AGGREGATE BASE ~ THICKNESS VARIES
- 2 EXISTING PAVEMENT BUILD-UP ~ THICKNESS VARIES
- 3 ITEM 202 ~ FULL DEPTH PAVEMENT SAW CUT, AS PER CMS 202.05
- 4 ITEM 204 ~ SUBGRADE COMPACTION
- 5 ITEM 304 ~ SEE ALLEN COUNTY STANDARD CONSTRUCTION DRAWINGS PF-1, PF-2, PF-3, PF-4, PF-5, OR PF-6 FOR THE AGGREGATE THICKNESS
- 6 ITEM 301 ~ SEE ALLEN COUNTY STANDARD CONSTRUCTION DRAWINGS PF-1, PF-2, PF-3, PF-4, PF-5, OR PF-6 FOR THE PAVEMENT BUILD-UP THICKNESS
- 6 ITEM 441 ~ SEE ALLEN COUNTY STANDARD CONSTRUCTION DRAWINGS PF-1, PF-2, PF-3, PF-4, PF-5, OR PF-6 FOR THE PAVEMENT BUILD-UP THICKNESS
- 7 ITEM 254 ~ PAVEMENT PLANING
- 8 ITEM 407 ~ TACK COAT FOR SURFACE COURSE, (APPLY AS PER TABLE 407.06-1 IN THE CMS)
- 9 ITEM 441 ~ 1 1/2" ASPHALT CONCRETE SURFACE COURSE, TYPE 1, (448 OR 449), PG70-22M
- 10 ITEM 411 ~ STABILIZED CRUSHED AGGREGATE, 2'-0" WIDE X 4" THICK, BOTH SIDES OF THE ROADWAY
- 11 ITEM 605 ~ 8" AGGREGATE DRAIN (12" WIDE SPACED 50' ON A SIDE @25' FROM THE NEAREST DRAIN ON THE OPPOSITE SIDE
- 12 ITEM 659 ~ SEEDING AND MULCHING, USE SEEDING MIXTURE APPROVED BY THE ALLEN COUNTY ENGINEER

- NOTE: 1. SEE ALLEN COUNTY STD. DRWG. DW-2 OR DW-3 FOR DRIVEWAY CONSTRUCTION.
2. ROADSIDE DITCH SHALL NOT BE FILLED IN.
3. STORM SEWERS SHALL BE LOCATED WITHIN THE ROAD RIGHT-OF-WAY.

REVISIONS			ALLEN COUNTY, OHIO	
NO.	DATE	BY	COUNTY ENGINEER	
1	1-16-13	RJM	PAVEMENT - FLEXIBLE WIDENING TYPICAL SECTION	
2	5-16-16	ZJG		
3	01-01-23	ZJG		
			STANDARD CONSTRUCTION DRAWING PF-7	
			DRAWN BY: Z.J.G. APPROVED BY: B. E. RHODES	

THE ITEMS LISTED ABOVE REFER TO THE MATERIAL & CONSTRUCTION SPECIFICATIONS FOUND IN THE LATEST EDITION OF THE OHIO DEPARTMENT OF TRANSPORTATION CONSTRUCTION & MATERIAL SPECIFICATION (CMS) MANUAL UNLESS NOTED OTHERWISE.