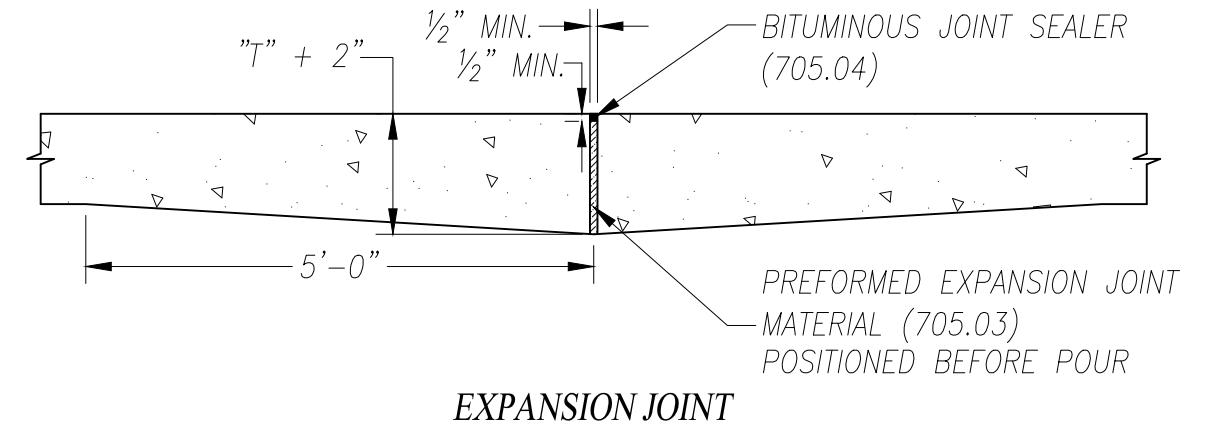
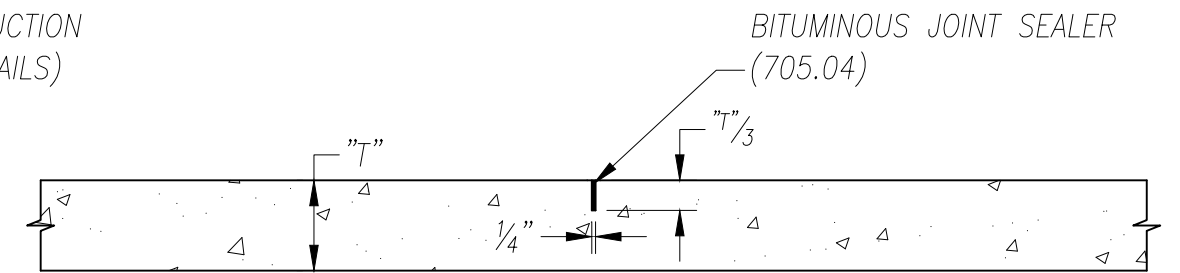


JOINTS AT STREET INTERSECTION



EXPANSION JOINT



CONTRACTION JOINT
(SPACED AT THE DIRECTION OF THE ENGINEER)

1/2" PREFORMED
EXPANSION JOINT
BETWEEN POURS

NOTE:

EXPANSION JOINTS SHALL BE A MINIMUM OF 12" FROM OUTERMOST LIP OF MANHOLE OR MONUMENT BOX CASTINGS.

**FOR REPAIR OR REPLACEMENT OF
EXISTING RIGID PAVEMENT ONLY**

REVISIONS			ALLEN COUNTY, OHIO	
NO.	DATE	BY	COUNTY ENGINEER	
1	6-3-76	TJP	PAVEMENT REPAIR - RIGID TYPE JOINT DETAILS	
2	5-31-79	TJP		
3	12-1-80	TJP		
4	10-5-06	RJM		
5	5-16-16	ZJG		
6	01-01-23	ZJG		
			STANDARD CONSTRUCTION DRAWING PR-2 DRAWN BY: Z.J.G. APPROVED BY: B. E. RHODES	